



Edge

Square Drive Tool

For general maintenance that requires high torque values and repeatable results, the Edge is HYTORC's workhorse. The straightforward three-moving-part design was created by HYTORC over 30 years ago and has been consistently improved upon resulting in the most tried and tested line of hydraulic torque wrenches in the world.

Simple operation



The three-moving part design of the Edge series reduces the number of potential repairs and keeps operating costs to a minimum.

Multi-Axis Swivel



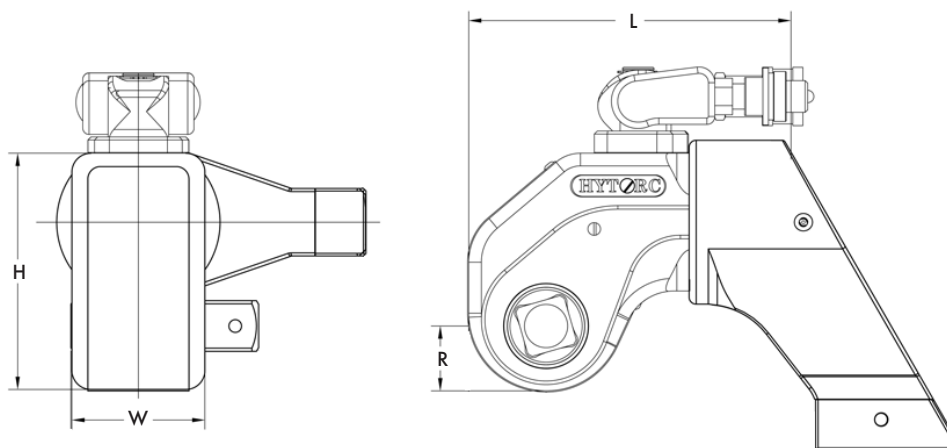
The multi-axis swivel is used on all HYTORC hydraulic torque wrenches (with the exception of the ICE series) for maximum positioning flexibility and safety.

Push-Through Drive



For quick and simple directional changes and maximum durability, the Edge series features a push through square drive.

Technical Data



Model	H (mm)	W (mm)	L (mm)	R (mm)	Drive (Inch)	Weight (Kg)	Torque (Nm)	
							MIN.	MAX.
EDGE - .5 - HD	74,93	41,65	101,90	20,82	3/4	1,50	143	960
EDGE - 2 - HD	89,70	50,03	125,50	24,63	3/4	1,83	240	1.700
EDGE - 4 - HD	119,63	66,80	162,60	33,30	1	3,90	600	4.170
EDGE - 6 - HD	153,41	80,80	193,30	39,90	1 1/2	8,70	1.210	8.460
EDGE - 8 - HD	166,87	90,70	220,72	47,24	1 1/2	9,09	1.660	11.590
EDGE - 12 - HD	179,60	100,33	243,84	49,80	1 1/2	11,33	2.185	15.300
EDGE - 30 - HD	256,54	143,25	348,23	70,90	2 1/2	23,34	6.030	40.200

Contact Information