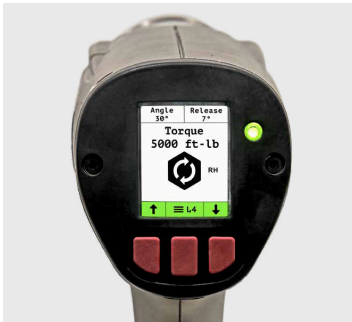




LITHIUM SERIES II Electric Torque Machine

The LITHIUM SERIES II is the next revolution in bolting technology and the ultimate solution for portability and convenience on industrial bolting jobs. This lightweight 36 Volt battery powered tool, with capacity up to 6.700 Nm, is the ultimate solution for strength and portability in industrial bolting jobs worldwide. This tool is compatible with conventional sockets, the HYTORC Washer, and the HYTORC Nut.

TorcSense™ Technology Power



The LITHIUM SERIES II Tool incorporates TorcSense™ Technology which directly measures torque providing more repeatable results. Now available in a 6.700 Nm configuration expanding the operational capability of this tool.

With all new features such as the sliding directional switch, snug function, useraccess levels, advanced bolting, and more further extends the versatility of the tool.

Dual-Speed Bolting



- 36V Brushless DC motor
- All-Aluminum nickel-plated Housing for corrosion and impact resistance
- 3 advanced bolting features: Turn Angle, Torque Check, Rotations
- Snug feature
- Directional Switch for quick change from Tightening to Loosening
- Switch from high speed rundown mode to accurate final torque mode
- Constant Power without the vibration and noise found in impact guns.

Data Recording and Intuitive Usability

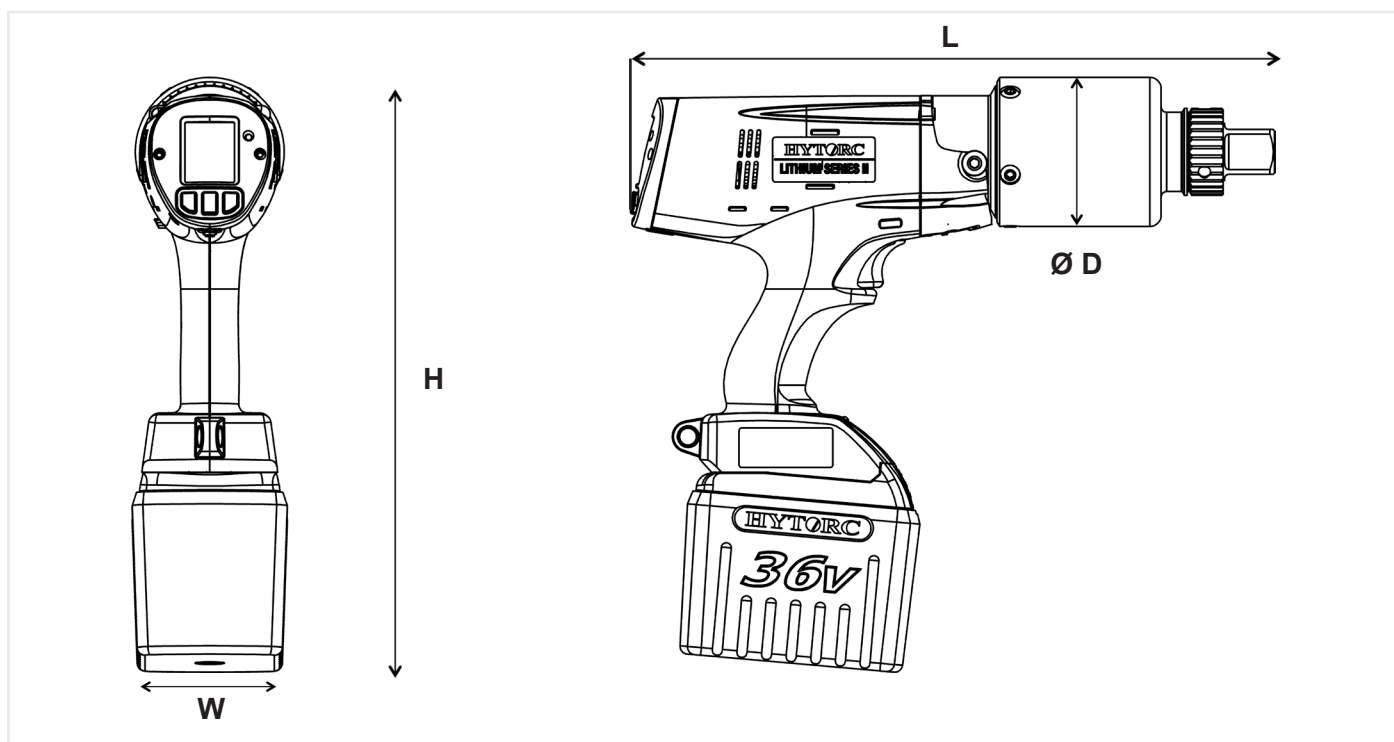


The user interface and menu structure is modeled for ease of use while presented on a high resolution display. Settings menu offers control of user preferences.

Expansion of job data management provides flexibility in verifying work performed. Now standard with Bluetooth wireless technology makes data acquisition and firmware upgrades easier than ever.

The work light and side handle further enhance safety and productivity.

Technical Data



MODEL	TORQUE Nm	DRIVE	H (mm)	W (mm)	L (mm)	D (mm)	SNUG (Nm Min)	RUNDOWN RPM	Weight with Battery (Kg)
LST-0700-HD	203-949	3/4"	328	89	290	66	47	61	5,3
LST-1200-HD	271-1627	3/4"	328	89	297	66	81	40	5,5
LST-2000-HD	441-2712	1"	335	89	353	81	135	17	7,5
LST-3000-HD	678-4067	1"	338	89	366	86	203	11	8,0
LST-5000-HD	1085-6779	1 1/2"	422	102	391	102	270	7	10,2

Contact Information

HYTORC
 — CENTRAL EUROPE & C.I.S. —
info@hytorc-centraleurope.com