



MXT+

Square Drive Tool

The MXT+ Hydraulic Torque Machine combines the best of the original MXT with the latest advances in bolting technology including coaxial reaction drive, auto-release feature and a new cycle counter. The MXT+ is constructed from higher strength materials for rugged industrial use and highly repeatable performance. The coaxial drive reaction combined with rear reaction feature provides flexibility to configure the tool in the field. Integrated auto-release and new quick-couplers provide faster job setup and completion.

Dual Reaction



The MXT+ dual-reaction feature allows the user to configure the wrench for rear reaction arms compatible with the original MXT+ or reaction arms compatible with AVANTI product lines.

No-Slip Ratchet



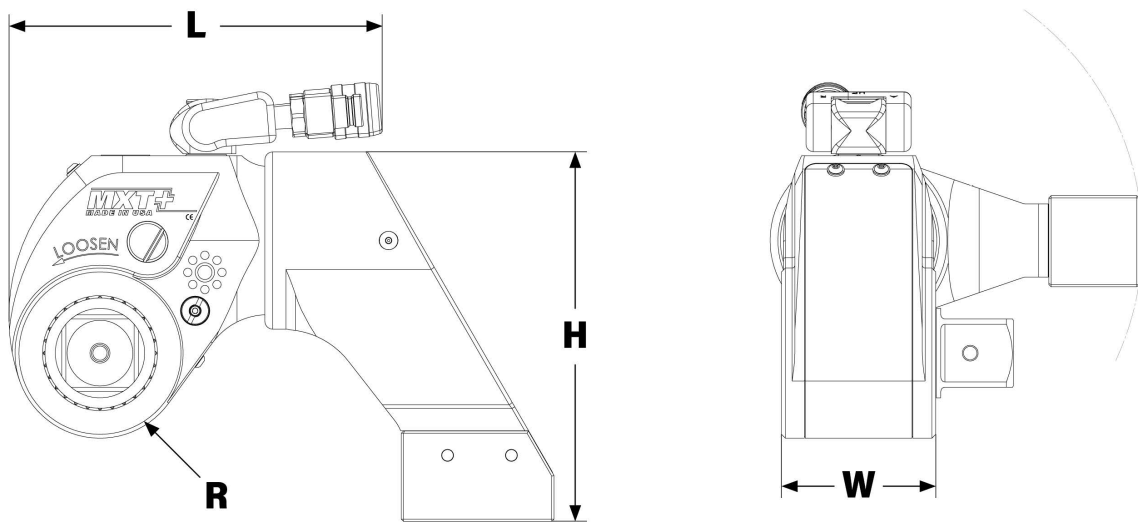
The MXT+ has an embedded cycle counter to monitor tool use and schedule preventative maintenance and calibration. This feature helps maintain the tool at peak performance for accurate and repeatable bolting results.

Auto-Release



The MXT+ Machine has an integrated auto-release feature so the operator doesn't have to flip a lever to unlock the tool from the application. Simply advance the pump and the tool will free itself making bolting operations faster, safer and simpler.

Technical Data



Model	H (mm)	W (mm)	L (mm)	R	Drive (Inch)	Weight (Kg)	Torque (Nm)	
							MIN.	MAX.
MXTP-01 - HD	162	55	131	30	3/4	3,08	270	1.810
MXTP-03- HD	206	74	169	38	1	3,44	650	4.375
MXT -05 - HD	235	86	204	47	1 1/2	8,39	1.130	7.575
MXT -10 - HD	297	110	255	60	1 1/2	11,33	2.478	15.610