



LION Gun

The LION Gun is the world's first affordable precision bolting system with built-in data recording. Set your desired torque output on the LION Gun's display and pull the trigger to get precise, repeatable torque without excessive noise or vibration.

Industrial-Grade Power



The LION Gun's industrial-strength gear box is driven by a brushless DC motor connected to a non-impacting gearbox to deliver torque faster, smoother and more reliably than manual clicker wrenches, impact wrenches and other tightening tools.

Unmatched Portability



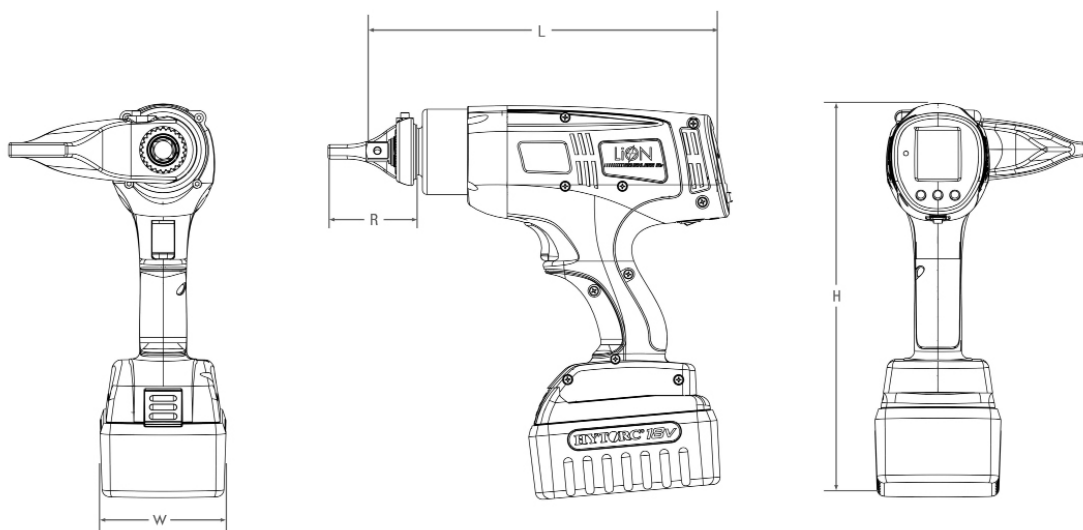
Through the use of aerospace-grade alloys, the LION Gun packs tremendous power without the weight. The 18-Volt lithium-ion battery provides long lasting operation with a quick recharge time to keep the job going.

Data Recording



Built-in data recording capability allows the user to maintain a log of all completed bolting jobs. For improved quality control and accountability, the information can be saved to a PC or tablet to provide a permanent record of the work performed.

Technical Data



| Model | H (mm) | W (mm) | L (mm) | D (mm) | Drive (Inch) | Weight (Kg) | Torque (Nm) | |
|-------------|-----------|-----------|-----------|-----------|-----------------|----------------|----------------|------|
| | | | | | | | MIN. | MAX. |
| LION-.25-HD | 275,1 | 87,9 | 258,1 | 59,7 | ½ | 3,31 | 34 | 339 |
| LION-.7-HD | 275,1 | 87,9 | 274,3 | 60,5 | ¾ | 3,73 | 203 | 949 |

Contact Information